

ASSEMBLY INSTRUCTION

A-1pc

B-2pcs

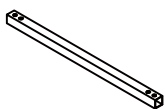
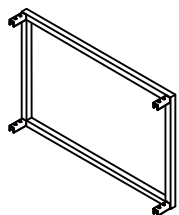
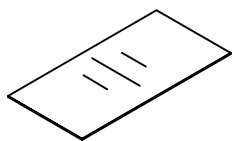
C-4pcs

D-16pcs

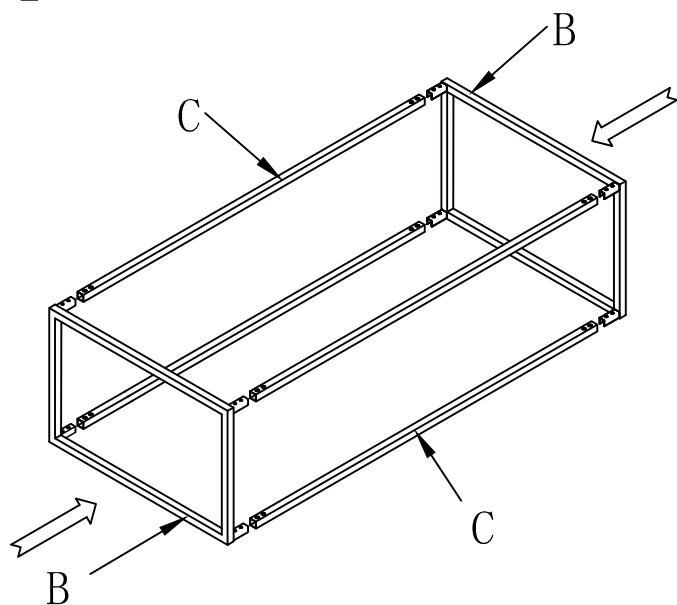
E-1pc

F-4pcs

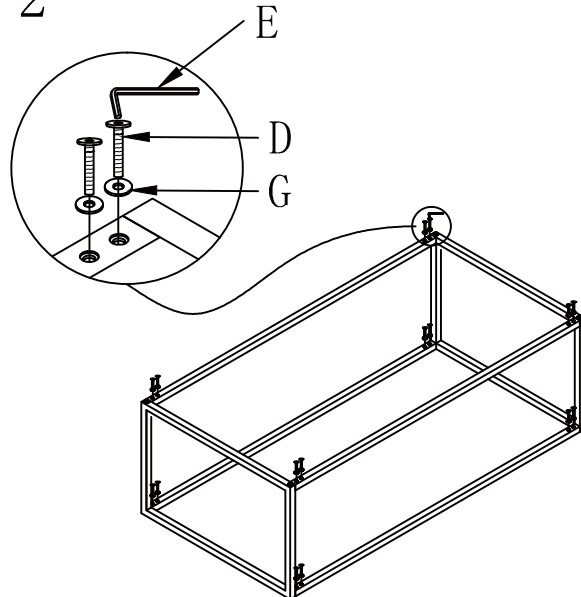
G-16pcs



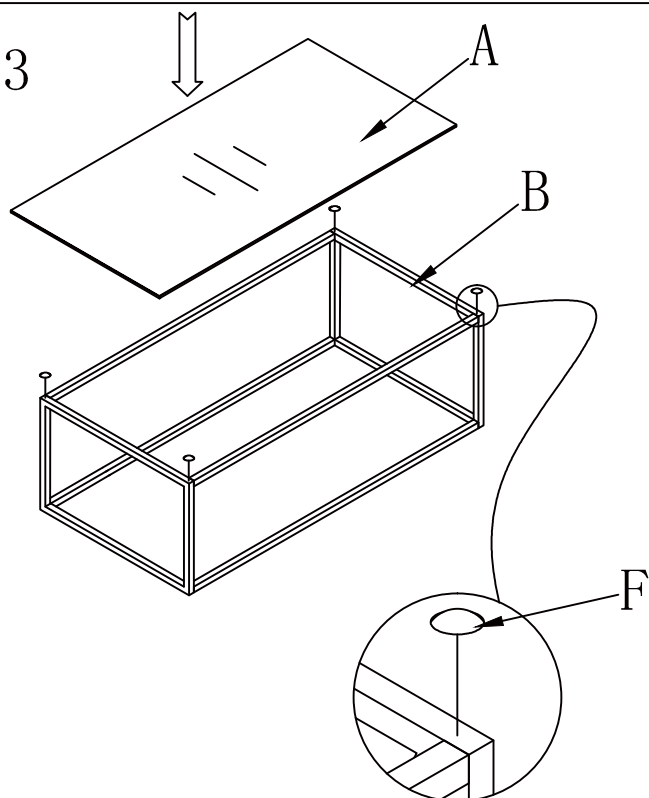
1



2



3



4

