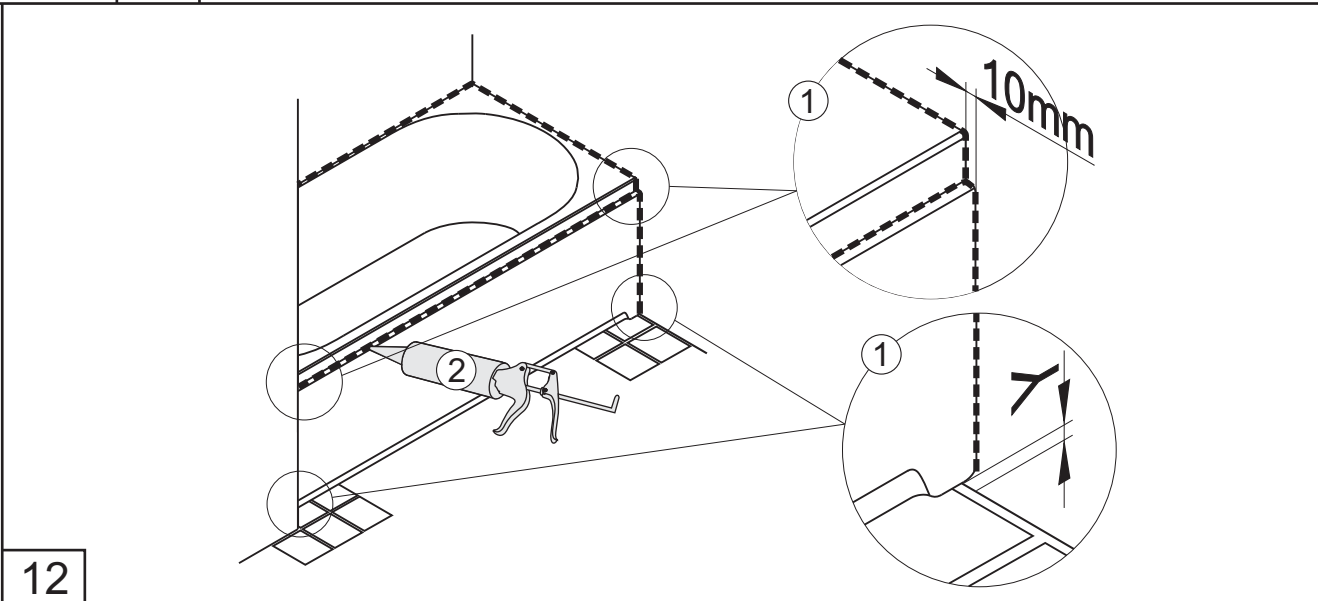
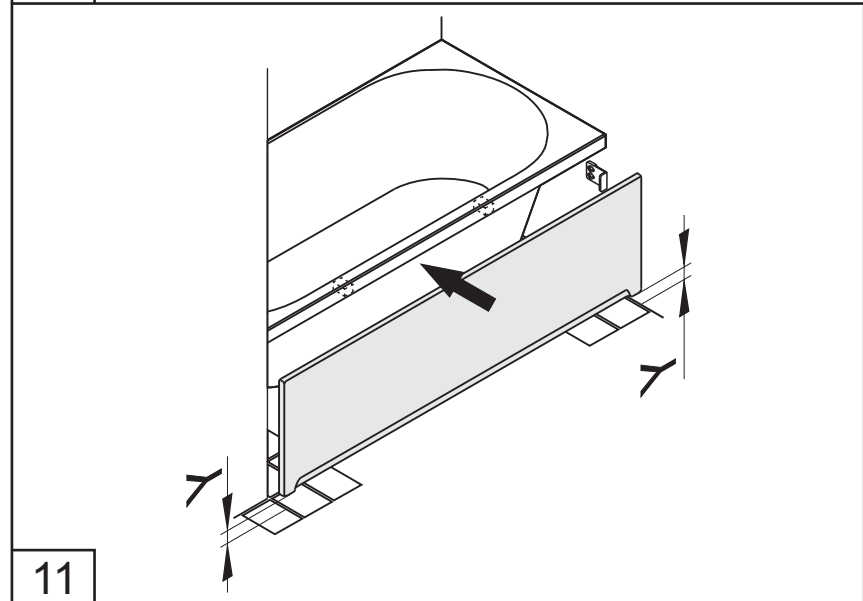
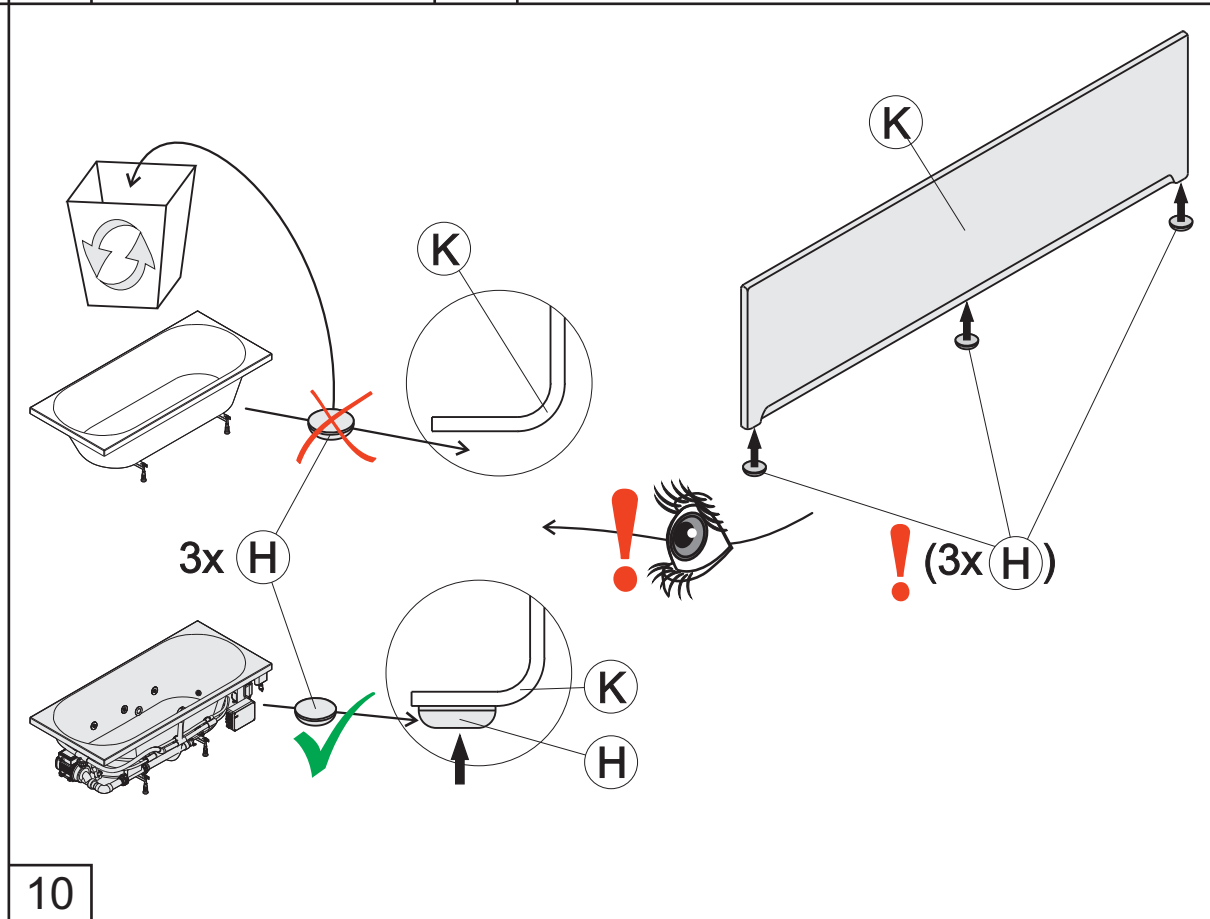
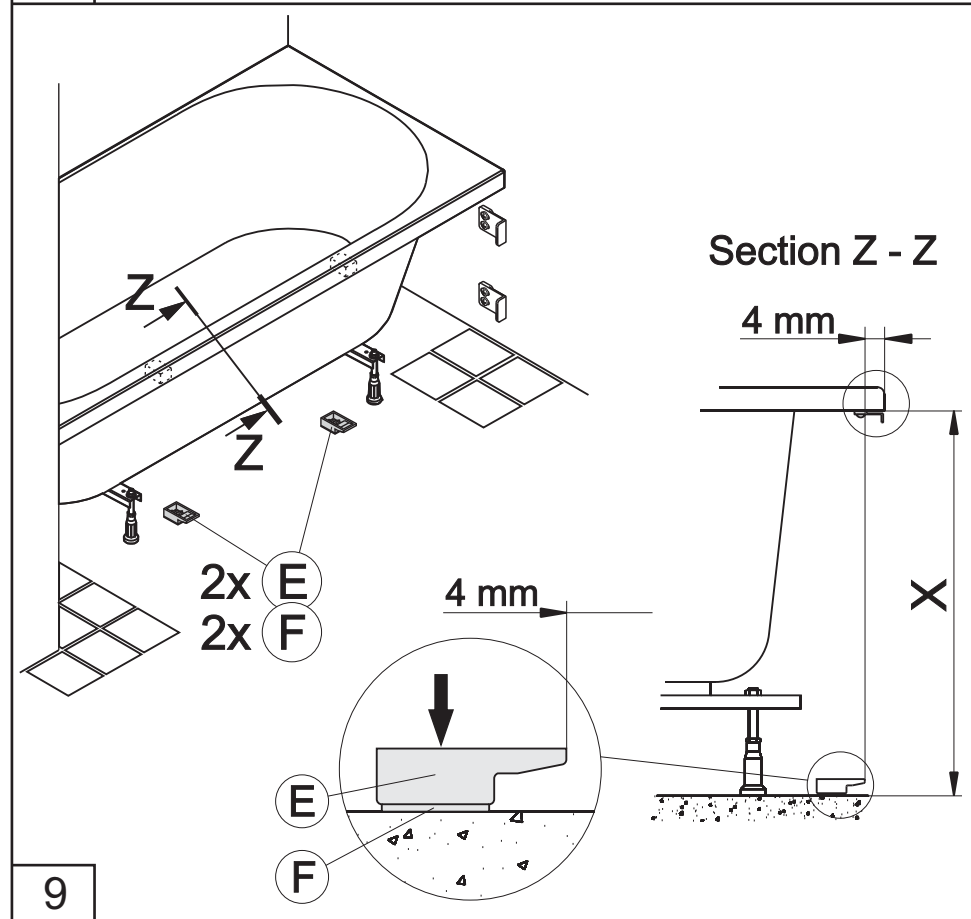
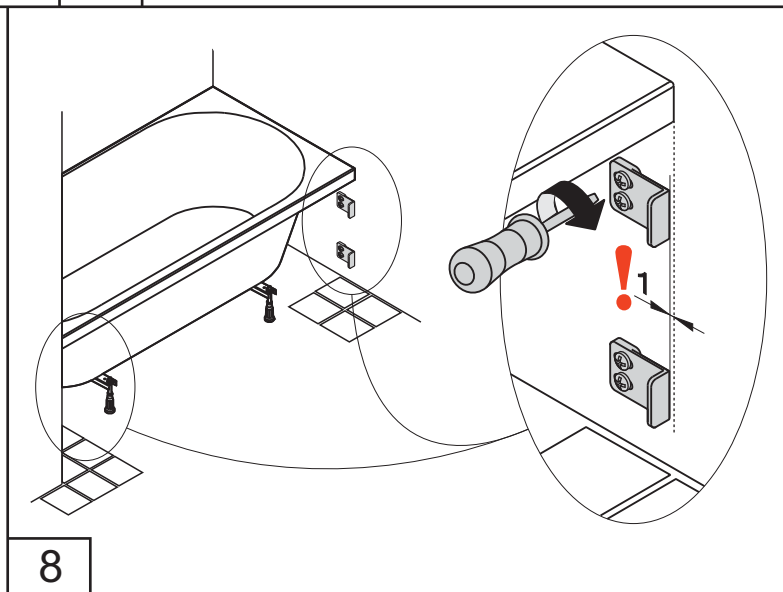
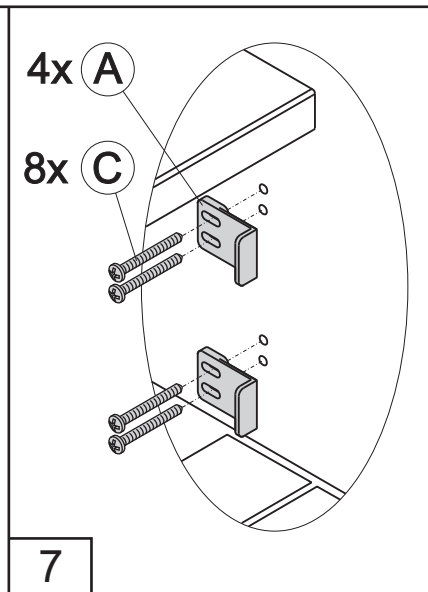
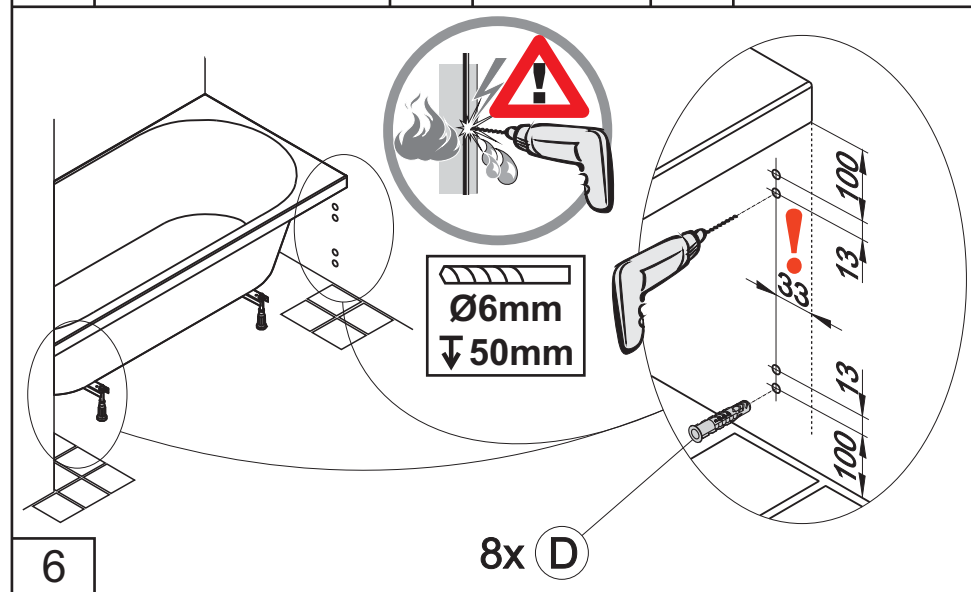
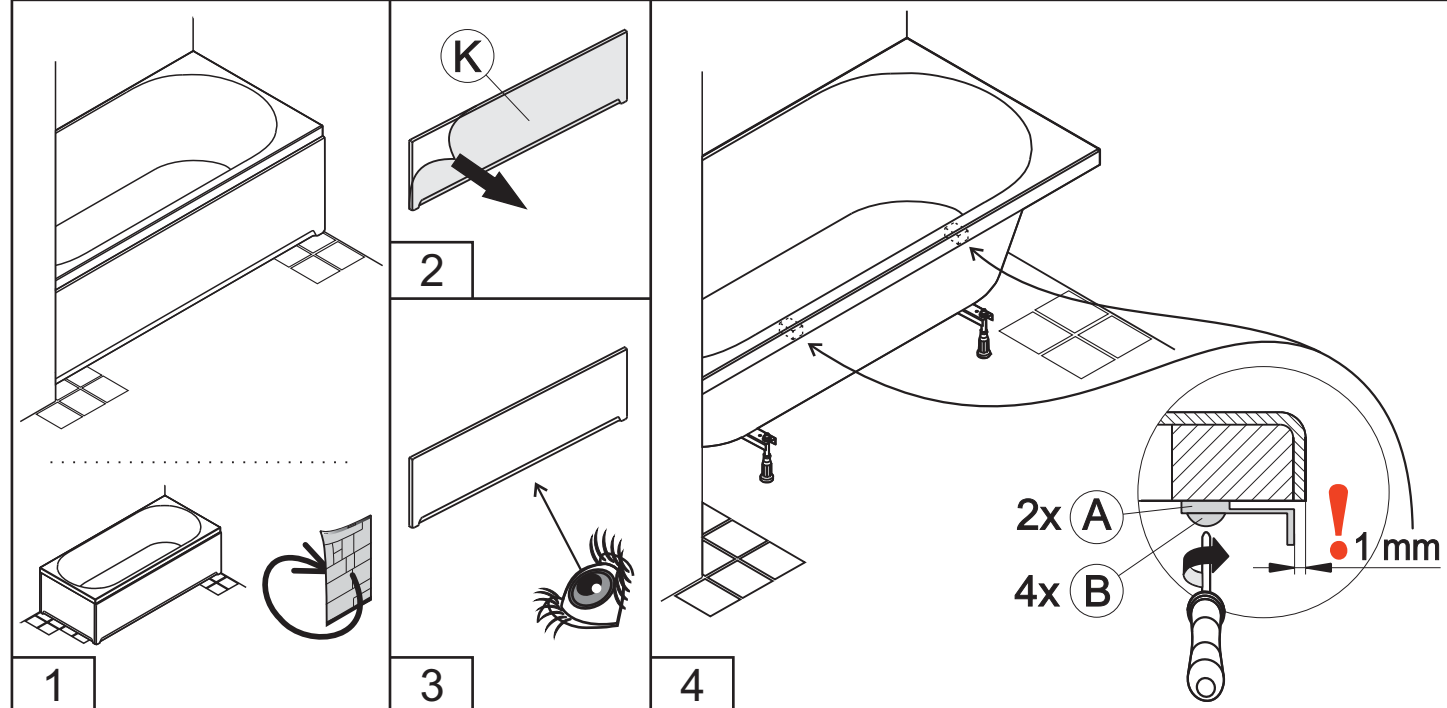


<b>A</b> 6x  566004014	<b>B</b> 4x St 4,5x16  130601127	<b>C</b> 8x St 4,2x50  130601115	<b>D</b> 8x  130805058	<b>E</b> 2x  566004013	<b>F</b> 2x  590400245	<b>H</b> 3x  566004414	<b>K</b> 1x  566004414
------------------------------	---	---	------------------------------	------------------------------	------------------------------	------------------------------	------------------------------



<b>A</b> 8x	<b>B</b> 8x	<b>C</b> 8x	<b>D</b> 8x	<b>E</b> 3x	<b>F</b> 3x	<b>H</b> 4x	<b>J</b> 4x	<b>K</b> 1x	<b>L</b> 1x
	St 4,5x16 	St 4,2x50 							
566004014	130601127	130601115	130805058	566004013	590400245	566004414	130800001		

**1**

**2**

**3**

**4**

**5**

	<b>X</b>	<b>569 mm</b>	<b>575 mm</b>
	<b>Y</b>	<b>0 mm</b>	<b>6 mm</b>

**6**

**7**

**8**

**9**

**10**

**11**

**12**

**13**